



Cast Steel & Bronze Marine Valves

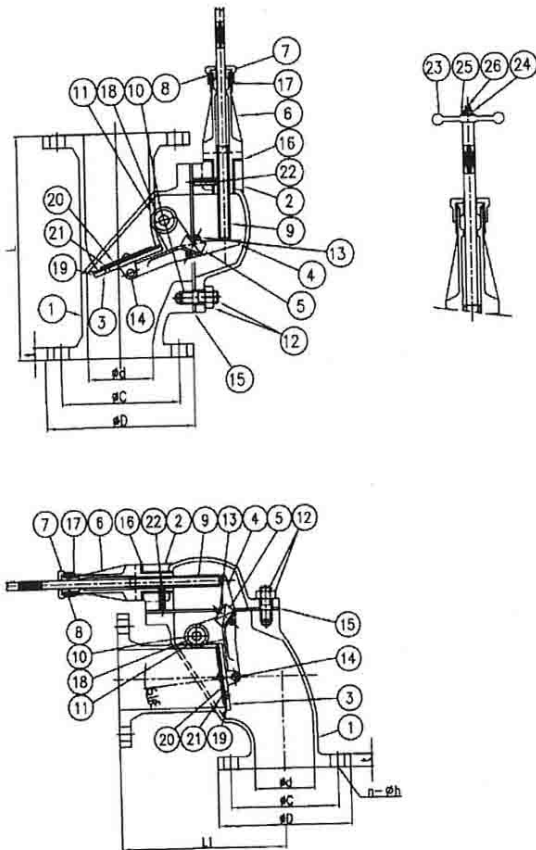
TYPE DESIGNATION

MBC-VSTMV/ ASTMV JIS 5K/10K BRONZE VERTICAL / ANGLE STORM VALVES

JIS F3059

MST-VSTMV/ ASTMV JIS 5K/10K CAST STEEL VERTICAL / ANGLE STORM VALVES

JIS F3060



MATERIALS

NO.	PARTS	MATERIAL
1	BODY	CAST STEEL/BRONZE
2	COVER	CAST STEEL/BRONZE
3	VALVE PLATE	BRONZE
4	ARM	BRONZE
5	COUNTERWEIGHT	LEAD
6	SPINDLE BOX	BRONZE
7	PACKING GLAND NUT	BRONZE
8	PACKING GLAND	BRONZE
9	STEM	BRASS
10	PLUG	BRASS
11	WASHER	BRASS
12	STUD BOLT & NUT	STEEL/STAINLESS STEEL
13	HEXAGON BOLT & NUT	STEEL/BRASS
14	HEXAGON BOLT & NUT	STEEL/BRASS
15	GASKET	NON ASBESTOS
16	GASKET	NON ASBESTOS
17	PACKING	NON ASBESTOS
18	GASKET	NON ASBESTOS
19	GASKET	OIL RESISTING RUBBER
20	SET PLATE	BRASS
21	SET SCREW	BRASS
22	SET SCREW	BRASS
23	HANDLE	CAST IRON
24	HEXAGON NUT	STEEL/BRASS
25	WASHER	STEEL/BRASS
26	SPLIT PIN	BRASS

TEST PRESSURE (kgf/cm²)

RATING	JIS 5K	JIS 10K
HYDROSTATIC PRESS TEST (SHELL)	5.1	5.1

DIMENSIONS

Unit:mm

RATING	SIZE	Ød	FLANGE JIS 5K FF				L	L1
			ØD	ØC	n-Øh	t		
JIS 5K	50A	50	130	105	4-15	14	210	170
	65A	65	155	130	4-15	14	240	200
	80A	80	180	145	4-19	14	260	220
	100A	100	200	165	8-19	16	280	250
	125A	125	235	200	8-19	16	330	270
	150A	150	265	230	8-19	18	360	310
RATING	SIZE	Ød	FLANGE JIS 10K FF				L	L1
			ØD	ØC	n-Øh	t		
JIS 10K	50A	50	155	120	4-19	14	210	170
	65A	65	175	140	4-19	14	240	200
	80A	80	185	150	8-19	14	260	220
	100A	100	210	175	8-19	16	280	250
	125A	125	250	210	8-23	16	330	270
	150A	150	280	240	8-23	18	360	310

REMARK: The flanges shall conform to nominal pressure 5k and 10k

