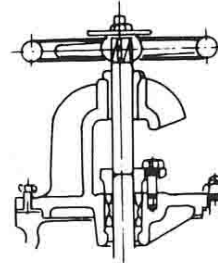
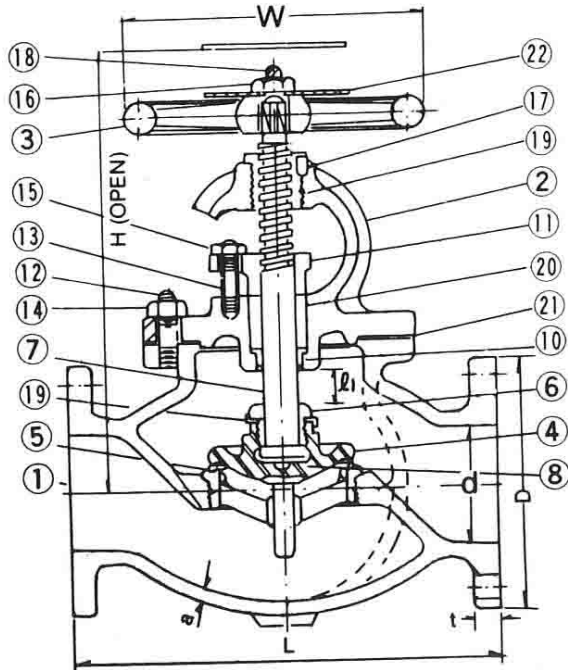


TYPE DESIGNATION

MCS-GLV JIS 5K GLOBE VALVES

JIS F7311



JISF 7311 (KS 7311)

Bolted Bonnet Rising Stem
Renewable seat Flanged Ends

FLUID CONDITION & MAX.WORKING PRESSURE (kgf/cm²)

Fluid Condition	Rating	Max Working Pressure (kgf /cm ²)
		5
Steam up to 220 °C		
Air, Gas, Oil and Pulsation Water		*5
Non-Shock Water up to 120 °C		7

Without Air and Gas

TEST PRESSURE(kgf/cm²)

RATING	JIS 5K
HYDROSTATIC PRESS TEST(SHELL)	10.5
HYDROSTATIC PRESS TEST(SEAT)	7.7

MATERIALS

NO.	PARTS	MATERIAL
1	BODY	CAST STEEL
2	BONNET	CAST STEEL
3	HAND WHEEL	CAST IRON
4	DISC	BRONZE/STAINLESS STEEL
5	BODY SEAT	BRONZE/STAINLESS STEEL
6	DISC GLAND	BRONZE/STAINLESS STEEL
7	STEM	BRONZE/STAINLESS STEEL
8	WHASER	ALLOY TOOL STEEL
9	BUSH	BRONZE
10	PACKING RING	BRONZE/STAINLESS STEEL
11	PACKING GLAND	BRONZE
12	BONNET BOLT	ROLLED STEEL
13	PACKING GLAND BOLT	ROLLED STEEL
14	BONNET NUT	ROLLED STEEL
15	PACKING GLAND NUT	ROLLED
16	HANDLE NUT	BRASS
17	SET SCREW	ROLLED STEEL
18	SPLIT PIN	BRASS WIRE
19	DISC STOPPER	BRASS PLATE / STAINLESS STEEL
20	PACKING	ASBESTOS
21	GASKET	ASBESTOS
22	NAME PLATE	BRASS PLATE

DIMENSIONS

Unit:mm

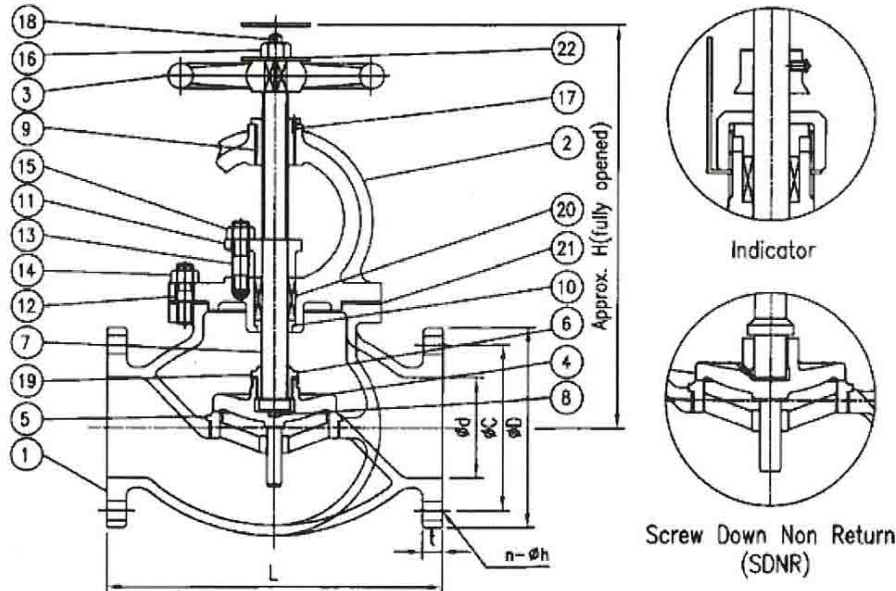
RATING	SIZE	50	65	80	100	125	150	200	250	300
JIS 5K (JIS F7311) (up to size 200ks 7311)	Ød	50	65	80	100	125	150	200	250	300
	L1	210	250	280	340	410	480	570	740	840
	a	8	9	9	10	11	12	15	17	18
	H	270	300	310	360	390	445	530	795	930
	W	160	180	180	224	250	280	315	355	400
	β1	17	22	27	33	42	50	67	138	165
	Weight(Kg)	16.2	23.4	30	45	63	88	153	230	309

REMARK: 1. The flanges shall conform to nominal pressure 5K of JIS B 2210
2. The name plate shall be specified by purchaser as required

TYPE DESIGNATION

MCS-GLV JIS 10K GLOBE VALVES

JIS F7319



Bolted Bonnet Rising Stem
Renewable seat Flanged Ends

FLUID CONDITION & MAX.WORKING PRESSURE (kgf/cm²)

Fluid Condition	Rating	Max Working Pressure (kgf /cm ²)
		10
Steam 300 C		10
Steam up to 220 C		12
Air, Gas, Oil and Pulsation Water		12
Non-Shock Water up to 120 C		14

Without Air and Gas

TEST PRESSURE(kgf/cm²)

RATING	JIS 10K
HYDROSTATIC PRESS TEST(SHELL)	21
HYDROSTATIC PRESS TEST(SEAT)	15.4

MATERIALS

NO.	PARTS	MATERIAL
1	BODY	CAST STEEL
2	BONNET	CAST STEEL
3	HANDWHEEL	CAST IRON
4	DISC	BRONZE / STAINLESS STEEL
5	VALVE SEAT	BRONZE / STAINLESS STEEL
6	PACKING BUSH	BRONZE / STAINLESS STEEL
7	STEM	BRONZE / STAINLESS STEEL
8	WASHER FOR STEM	BRONZE / STAINLESS STEEL
9	BONNET BUSH	BRONZE
10	PACKING BUSH	BRONZE
11	PACKING GLAND	STEEL
12	STUD BOLT	STEEL
13	STUD BOLT	STEEL
14	HEXAGON NUT	STEEL
15	HEXAGON NUT	STEEL
16	HEXAGON NUT	STEEL
17	LOCK PIN	STEEL
18	SPLIT PIN	BRASS
19	DISC LOCK WASHER	BRASS / STAINLESS STEEL
20	PACKING	NON ASBESTOS
21	GASKET	NON ASBESTOS
22	WASHER	STEEL

DIMENSIONS

RATING	SIZE	50	65	80	100	125	150	200	250	300
JIS 10K (JIS F7319)	Ød	155	175	185	210	250	280	330	400	445
	L1	120	140	150	175	210	240	290	355	400
	a	4-19	4-19	8-19	8-19	8-23	8-23	12-23	12-25	16-25
	H	16	18	18	18	20	22	22	24	24
	W	220	270	300	350	420	490	570	740	840
	φ1	270	300	310	355	415	470	565	645	735
	Weight(Kg)	17.9	26.0	29.8	44.7	70.3	96.3	159	257	370

Unit:mm

REMARK: 1.The flanges shall conform to nominal pressure 10K of JIS B 2210
2.The name plate shall be specified by purchaser as required