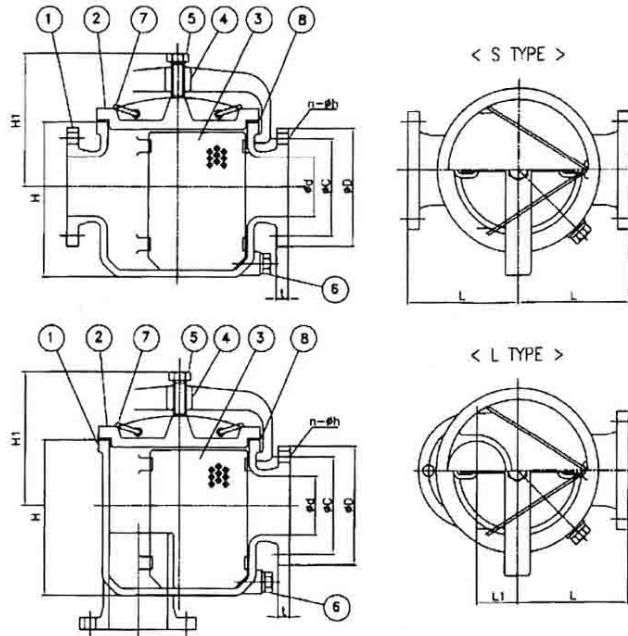


Cast Iron Marine Strainer



TYPE DESIGNATION

MCI-MB	JIS 5K MARINE MUD BOXES	JIS F7203
MCI-MB	JIS 10K MARINE MUD BOXES	JIS F7203



TEST PRESSURE(kgf/cm²)

RATING	JIS 5K	JIS 10K
HYDROSTATIC PRESS TEST(SHELL)	1	1

MATERIALS

NO.	PARTS	MATERIAL
1	BODY	CAST IRON
2	COVER	CAST IRON
3	STRAINER PLATE	STEEL/STAINLESS STEEL
4	COVER YOKE	STEEL
5	YOKE BOLT	STEEL
6	PLUG	BRASS
7	HANDLE OF COVER	STEEL
8	GASKET	RUBBER

DIMENSIONS

Unit:mm

RATING	SIZE	Ød	ØD	ØC	N-Øh	t	L	L1	H	H1	Weight(kg)
JIS 5K (JIS F7203)	40A	40	120	95	4-15	16	90	22.5	128	145	10.5
	50A	50	130	105	4-15	16	120	40	160	145	17.7
	65A	65	155	130	4-15	18	150	52.5	206	180	29.7
	80A	80	180	145	4-19	18	160	55	231	195	34.3
	100A	100	200	165	8-19	20	190	70	262	225	48.2
	125A	125	235	200	8-19	20	235	87.5	354	275	92.8
	150A	150	265	230	8-19	22	280	110	437	320	156
	200A	200	320	280	8-23	24	330	135	540	405	305
JIS 10K (JIS F7203)	250A	250	385	345	12-23	26	380	155	680	525	435
	40A	40	140	105	4-19	16	90	22.5	128	145	11.02
	50A	50	155	120	4-19	16	120	40	160	145	18.59
	65A	65	175	140	4-19	18	150	52.5	206	180	31.19
	80A	80	185	150	8-19	18	160	55	231	195	36.02
	100A	100	210	175	8-19	20	190	70	262	225	50.6
	125A	125	250	210	8-23	20	235	87.5	354	275	97.45
	150A	150	280	240	8-23	22	280	110	437	320	163.8
200A	200	330	290	12-23	24	330	135	540	405	320.25	
250A	250	400	355	12-25	26	380	155	680	525	456.8	

REMARK: 1.The flanges shall conform to nominal pressure 5K and 10K of JIS B2210
2.The total area of filtering holes shall be approximately 4 time or more the area of inlet part after galvanizing



reserves the right to make changes in design, materials or specifications without prior notice and free of obligation to furnish or install such changes on products previously sold.